

somfy.com.au  
somfy.co.nz

SOMFY Pty. Limited

**Australia**

Toll free 1800 0 SOMFY  
t: 02 8845 7200  
f: 02 8845 7282  
e: somfy.au@somfy.com

**New Zealand**

Toll free 0800 2 SOMFY  
t: 09 419 4303  
f: 09 419 4302  
e: somfy.nz@somfy.com

YOUR SOMFY RETAILER

somfy®

© SOMFY Pty. Limited, July 2009. Due to our constant efforts to update and improve our range we reserve the right to provide our products with any technical improvements which we deem to be useful at any time.



# Axovia 400C<sup>MS</sup>

Motorisation system for sliding gates.

20 YEARS  
IN AUSTRALASIA

HOME  
MOTION BY

somfy®

# Axovia 400C<sup>NS</sup>

Simple motorisation of your sliding gate.

Axovia 400C<sup>NS</sup> is a quick and silent system.

The rack and pinion drive of Axovia 400C<sup>NS</sup> guarantees extremely flexible opening to protect the structure of a gate.

The built-in electronic control box makes the installation more attractive by doing away with unsightly control boxes on pillars.

This drive unit is designed for opening sliding gates irrespective of the materials used, and can motorise new or existing installations.

## Ease of use

- 3 operating modes:
  - **Semi-automatic:** opening and closing using a remote control.
  - **Automatic:** opening using a remote control and automatic closing once a car has passed through.
  - **Pedestrians:** partial opening of gates to allow pedestrians or cyclists to pass through.
- Rapid opening within 20 seconds for a 3m gate.
- Soft start / soft stop operation in order to protect the gate structure.
- Easy manual unlocking system and backup battery (optional) for operating the gate in the event of an electrical power cut.



Manual unlocking using a handle which disengages the motor drive for operating the gate in the event of an electrical power cut.

## Optimum security

- Motor shut-off in the event of obstruction.
- Anti break-in device which provides a counter-force if forced entry is attempted.
- Secure and intruder-proof remote control (exclusive RTS Somfy system).
- Complies with standard EN 60 335-2-103.



Instantaneous motor shut-off in the event of obstruction.

## Tried and tested quality

- 5-year warranty\*.
- Robust materials for long-term reliability.

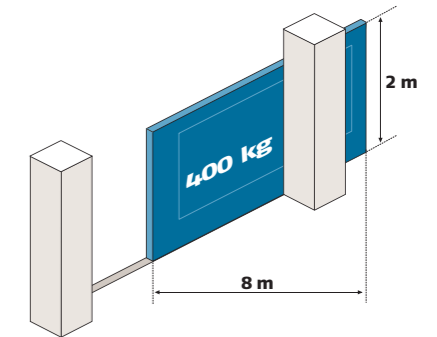
\*Somfy manufactured component warranty granted to installation customers who have their own sales and warranty conditions.

## Accessory upgrade

Maximise your comfort, safety & convenience by including the Somfy accessories to your gate opener.



## APPLICATIONS



Axovia 400C<sup>NS</sup> can be fitted to any sliding gates, both new and existing.

## ACCESSORIES FOR EASE OF USE AND SECURITY



## A SOMFY REMOTE CONTROL FOR YOUR GATE AND ALL YOUR HOME MOTION NEEDS

Compatible with all RTS Somfy motors and automatic control systems.



- **RELIABILITY:** Specific radio frequency 433.42 MHz shielded from interference.
- **POWER:** Multi-directional range of up to 200 metres.
- **SECURITY:** The radio signal is coded and this code is changed with every transmission to one of 16 million possible combinations to prevent any risk of hacking.  
The new code button locks the keys on the remote to avoid any unwanted operation.
- **UPGRADEABILITY:** Option to replace or add new accessories over time to improve ease of use and security.

